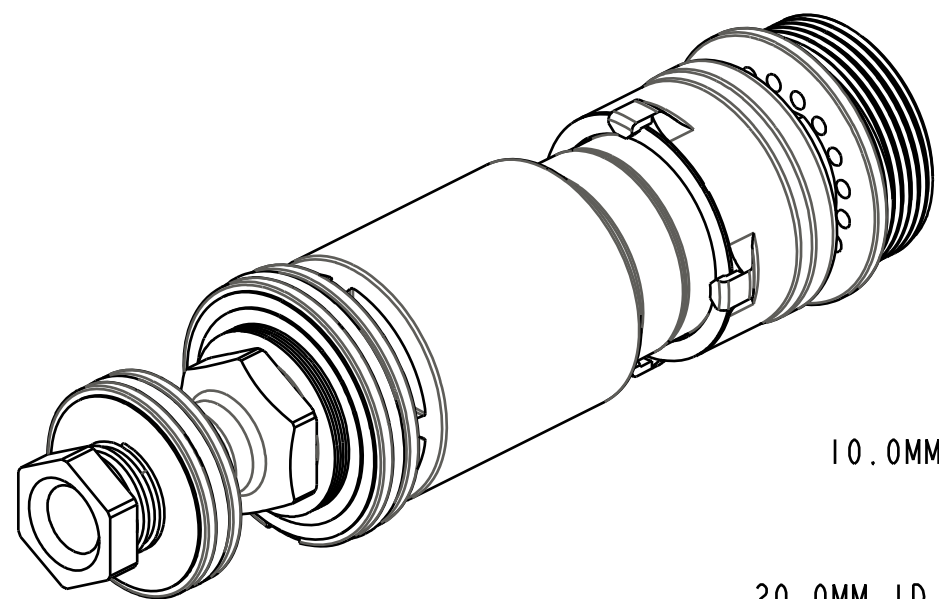


4

3

2

1



029-08-030
10.0MM ID x 1.5MM CS

029-08-006
20.0MM ID x 1.0MM CS

210-22-397
Bulkhead: Compression Damping, 2011 32 TerraLogic

040-08-080
Valve: [.800 OD X 0.377 ID X 0.008 TH]

040-08-070
Valve: [.700 OD X 0.377 ID X 0.008 TH]

040-12-060
Valve: [.600 OD X 0.377 ID X 0.012 TH]

(040-12-060)
(040-12-060)
(040-12-060)
(040-12-060)

210-22-396
DONGLE, 2011 32 TERRALOGIC

GREASE:
THIN LAYER

TORQUE:
50±5 IN.LB.

TORQUE:
50±5 IN.LB.

029-08-115
15.5MM ID x 1.0MM CS

046-20-013
Valve: [0.630 OD X 0.286 ID X 0.008 TH]

039-00-162
Spring: Compression Check, 2011 32 TerraLogic

210-10-063
Bolt, CD Check Shim, 2011 32 TerraLogic

IMPORTANT:
DO NOT USE GREASE
OR ASSEMBLY LUBRICANT

IMPORTANT:
IV MUST SLIDE FREELY ON SHAFT

TORQUE:
50±5 IN.LB.

210-22-399
TIMER POCKET, 2011 32 TERRALOGIC

029-10-001
SEALS: O-RING, SQUARE [7-016], NBR, SHORE A 70

046-20-008
Valve: Timer Shim, 2011 32 TerraLogic

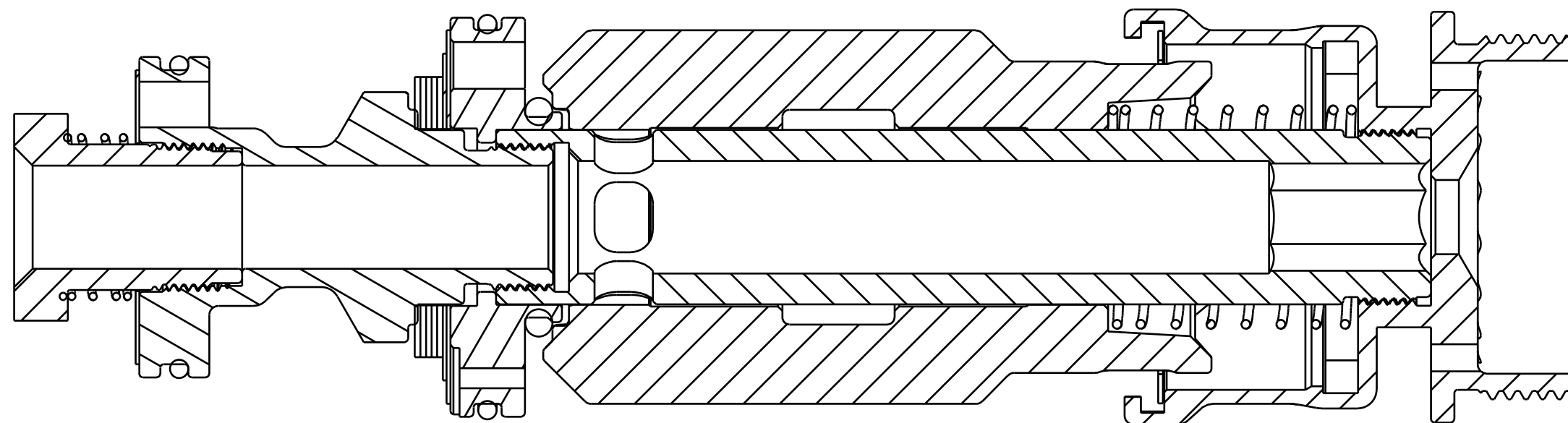
039-00-163
Spring: IV, 2011 32 X

210-22-398
INERTIA VAVLE, 2011 32 TERRALOGIC

229-19-069
SHAFT: IV, 2011 32 TERRALOGIC

GREASE:
THIN LAYER

IMPORTANT:
DO NOT USE GREASE
OR ASSEMBLY LUBRICANT



FOX FOX Factory, Inc. Ph 831-768-1100
130 Hongor Way, Watsonville, CA 95076 USA Fax 831-768-9312

TITLE
**INERTIA VALVE CARTRIDGE,
2011 32 TERRALOGIC**

SIZE DWG. NO.
C 810-00-090-KIT

PLOT SCALE | 00:1 | SHEET | OF | 1

PROPRIETARY
THIS DOCUMENT CONTAINS CONFIDENTIAL, PROPRIETARY INFORMATION
THAT IS FOX PROPERTY. DO NOT DISCLOSE TO OR DUPLICATE
FOR OTHERS EXCEPT AS AUTHORIZED BY FOX.

4

3

2

1